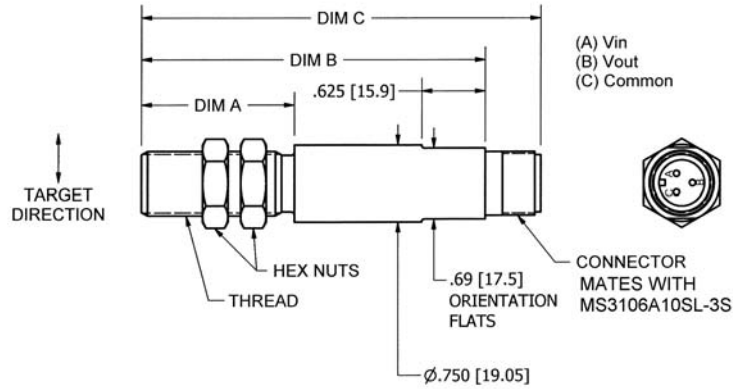


DH SERIES Zero Velocity - Magnetic Hall Effect Sensors - 5/8 and 3/4 Threads

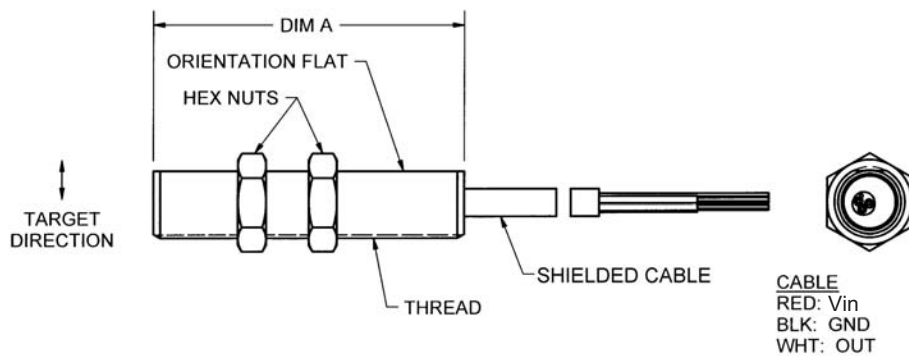
Round Body with Connector



Part Num.	Thread	"A" Dimension	"B" Dimension	"C" Dimension	Output
DH1512-105	.625-18 UNF-2A	1.500 (38.100)	3.375 (85.725)	4.012 (101.905)	TTL Compatible
DH1522-105	.625-18 UNF-2A	1.500 (38.100)	3.375 (85.725)	4.012 (101.905)	Supply Tracking
DH1512-106	.625-18 UNF-2A	2.750 (69.850)	4.625 (117.475)	5.262 (133.655)	TTL Compatible
DH1522-106	.625-18 UNF-2A	2.750 (69.850)	4.625 (117.475)	5.262 (133.655)	Supply Tracking
DH1512-107	.625-18 UNF-2A	4.000 (101.600)	5.875 (149.225)	6.512 (165.405)	TTL Compatible
DH1522-107	.625-18 UNF-2A	4.000 (101.600)	5.875 (149.225)	6.512 (65.405)	Supply Tracking
DH1612-105	.750-20 UNEF-2A	1.500 (38.100)	3.375 (85.725)	4.012 (101.905)	TTL Compatible
DH1622-105	.750-20 UNEF-2A	1.500 (38.100)	3.375 (85.725)	4.012 (101.905)	Supply Tracking
DH1612-106	.750-20 UNEF-2A	2.750 (69.850)	4.625 (117.475)	5.262 (133.655)	TTL Compatible
DH1622-106	.750-20 UNEF-2A	2.750 (69.850)	4.625 (117.475)	5.262 (133.655)	Supply Tracking

Net Weight: 7 oz. max.

Fully Threaded with Cable



Part Num.	Thread	"A" Dimension	Cable Length	Output
DH1512-109	.625-18 UNF-2A	1.500 (38.100)	10 ft (3.05m)	TTL Compatible
DH1522-109	.625-18 UNF-2A	1.500 (38.100)	10 ft (3.05m)	Supply Tracking
DH1512-110	.625-18 UNF-2A	2.750 (69.850)	10 ft (3.05m)	TTL Compatible
DH1522-110	.625-18 UNF-2A	2.750 (69.850)	10 ft (3.05m)	Supply Tracking

Net Weight: 3 oz. max.

Dimensions in inches and (mm).