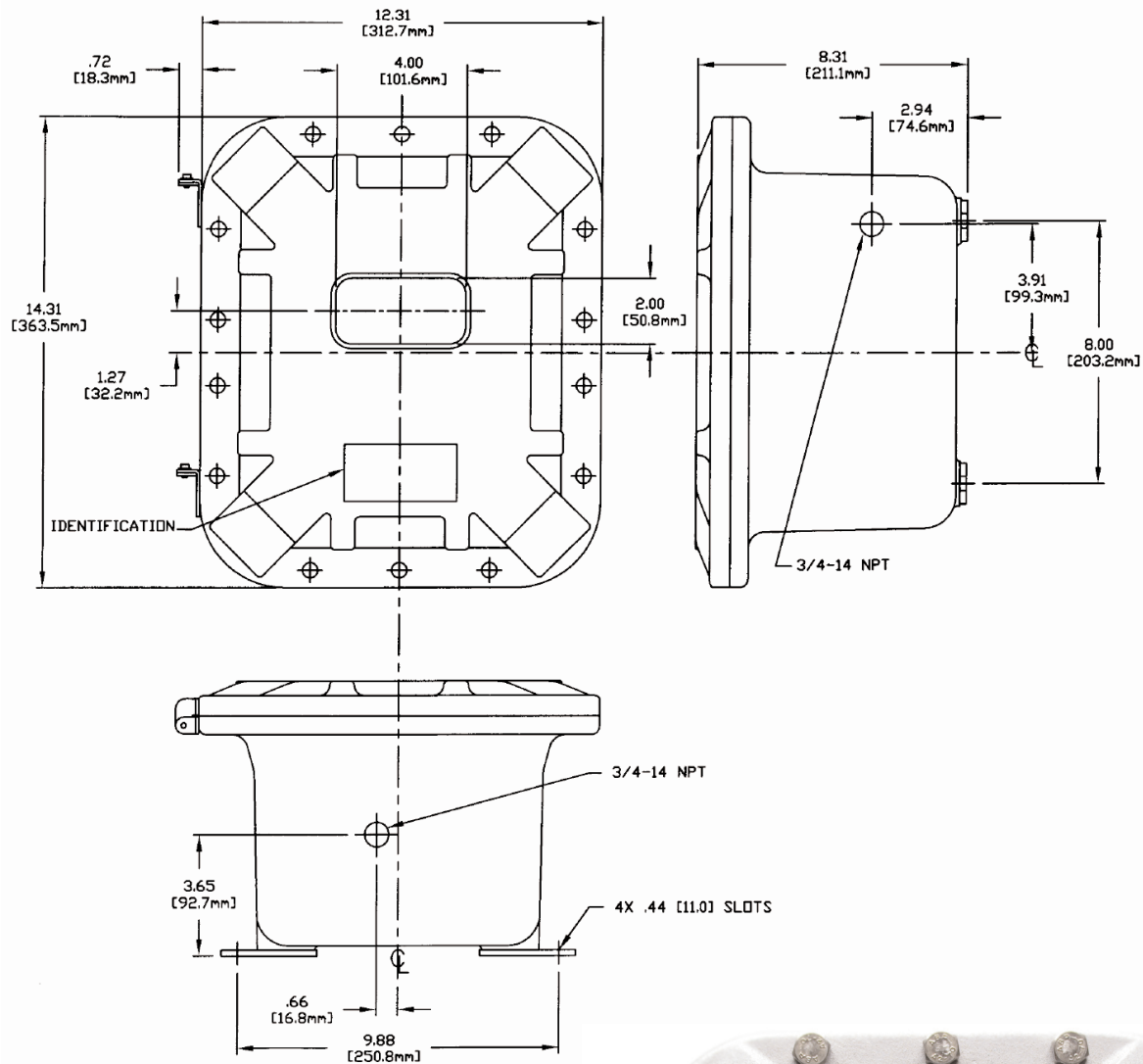


# TACHTROL Enclosure Options

## T77610-70 / T77630-70



### EXPLOSION PROOF

**UL/CSA for Hazardous Locations**

Class I, Groups B, C & D

Class II, Groups E, F & G

Class III

Also Class I, Zone 1, Groups IIB + H<sub>2</sub>, IIA

### ATEX

0102 EX II 2 G

For use in Zone 1 Groups

IIA, IIB & IIB+H<sub>2</sub> T6 or T5,

IP66 hazardous locations

Certifications Inside Enclosure  
(Consult Factory for Latest Update)

