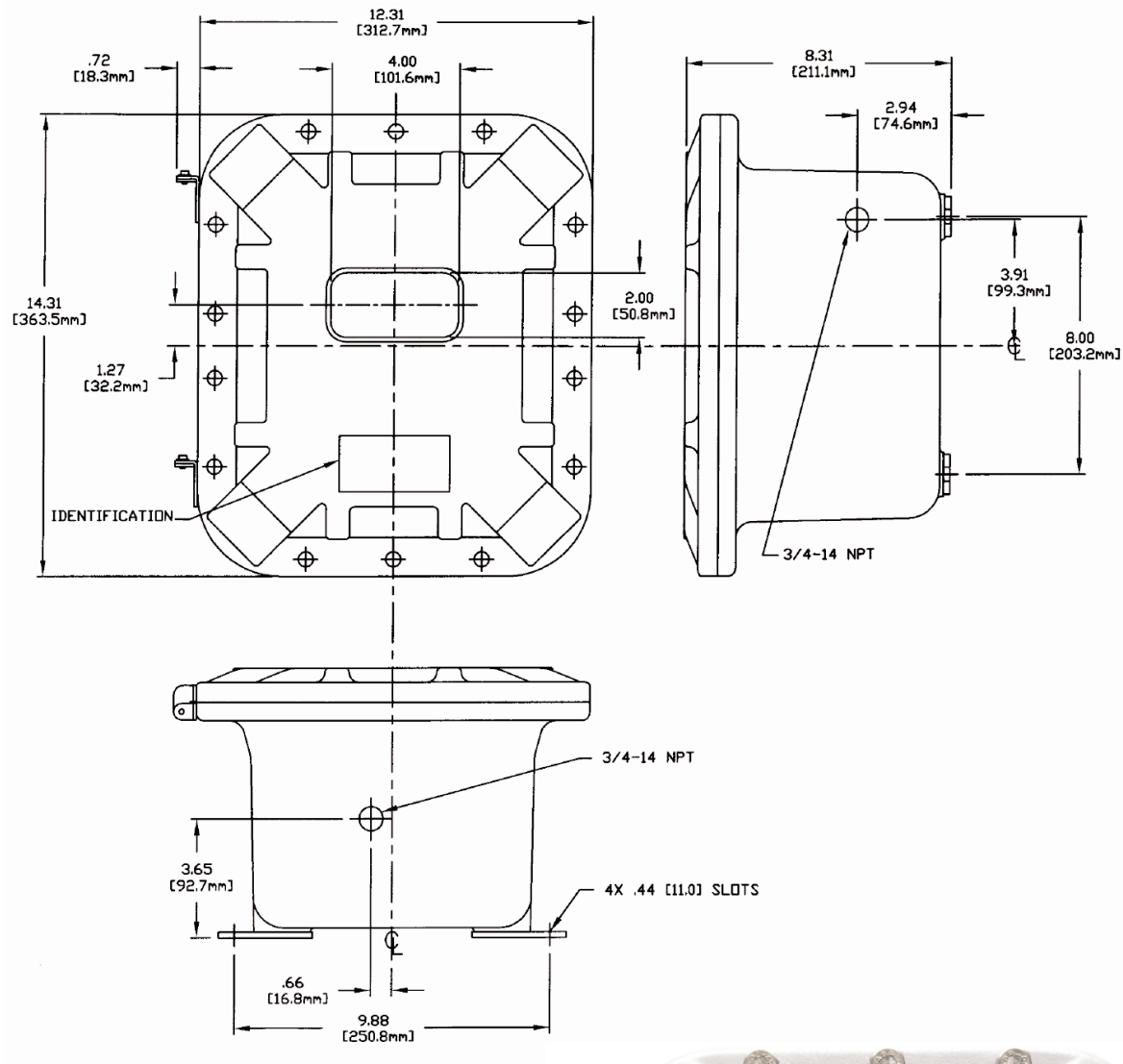


TACHTROL plus Enclosure Options

T77810-70



EXPLOSION PROOF

UL/CSA for Hazardous Locations

Class I, Groups B, C & D

Class II, Groups E, F & G

Class III

Also Class I, Zone 1, Groups IIB + H₂, IIA

ATEX

0102 EX II 2 G

For use in Zone 1 Groups

IIA, IIB & IIB+H₂ T6 or T5,

IP66 hazardous locations

Certifications Inside Enclosure
(Consult Factory For Latest Update)

