

NEW GENERATION TACHOMETER ACCESSORIES

RoHS

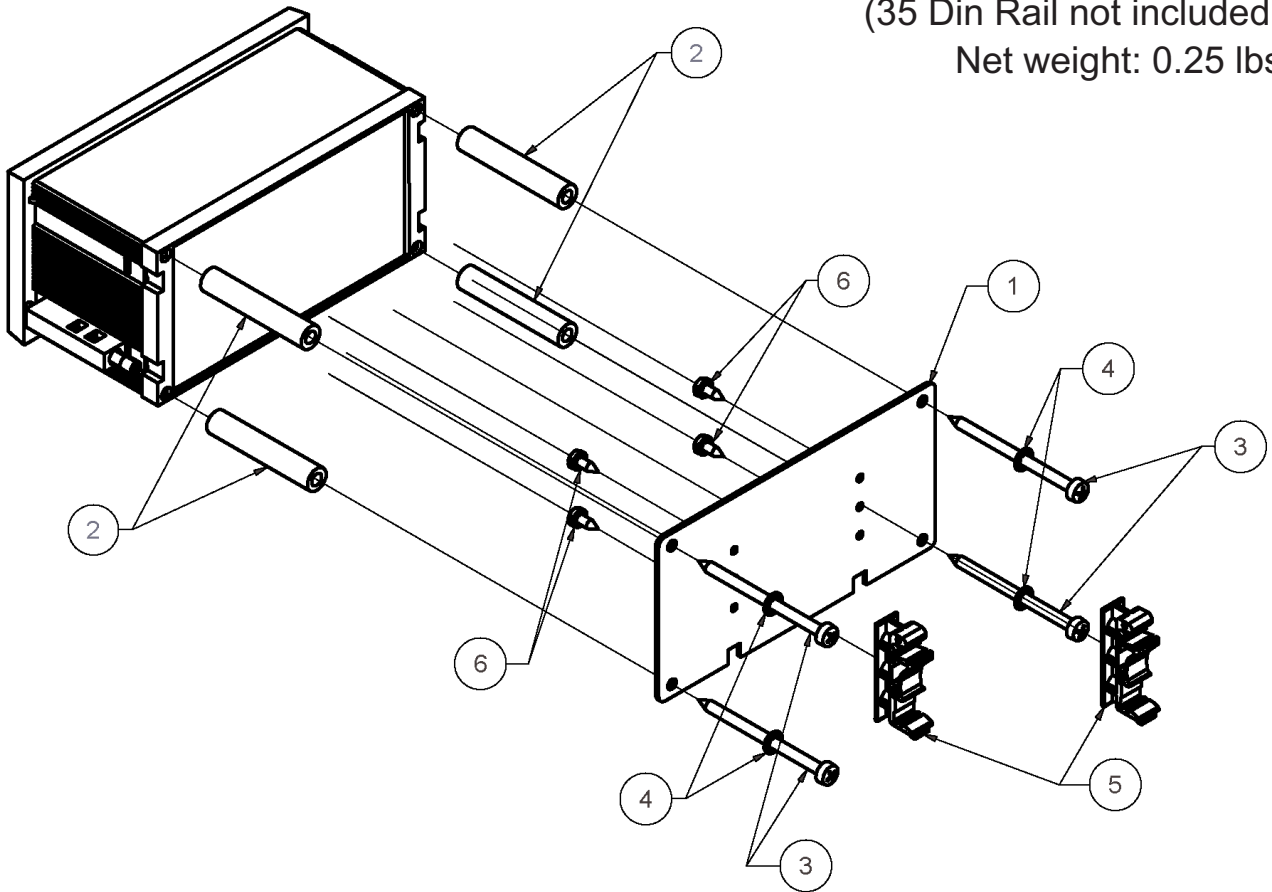
TACHTROL-TO-DIN RAIL MOUNTING KIT

P/N: 675-0300-001

Used with all TACHTROL 10 & 30 & plus

(35 Din Rail not included)

Net weight: 0.25 lbs



Overall Depth = 5.75 inches

675-0300-001, Tachtrol Mounting Kit			
ITEM	QTY	PARTNUMBER	DESCRIPTION
1	1	150-0201-001	PLATE
2	4	196-0202-002	SPACER, NYLON
3	4	186-0206-001	SCREW, TAPPING #8 X 2.5:, SST
4	4	227-0301-002	WASHER, #8, INTERNAL TOOTH LOCK
5	2	020-0310-001	BRACKET, DIN RAIL CLIP
6	4	186-0209-001	SCREW, SHEET METAL #4-40